

# MMX LTI-N

POWERFUL LUMINOUS FLUX

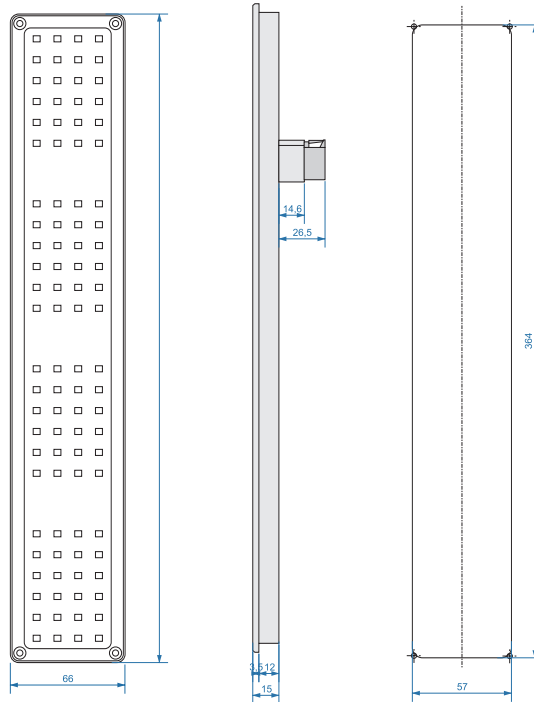
WIDE VIEWING ANGLE

TOUGH ALUMINIUM HOUSING

WITH TEMPERED GLASS

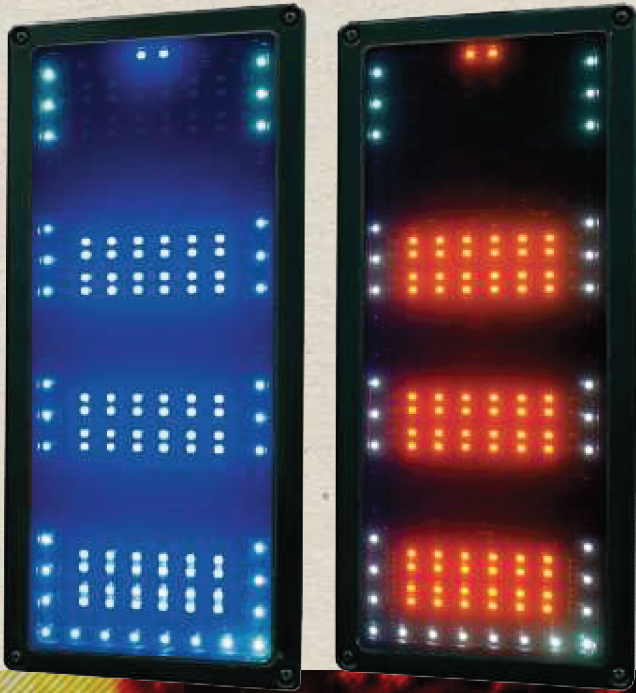
COLOUR-CODED LED FOR WATER AND FOAM

WATERPROOF



## MMX Large Tank Level Indicator

The large Tank Indicator is made to display water or foam level to be seen from a distance. The ultra-bright LEDs can be easy readable even in direct sunlight. For displaying water level the blue LEDs are used and for displaying foam level the yellow LEDs are employed. When the level is critical the both indicators signalise with red colour LEDs.



# MMX LTI

POWERFUL LUMINOUS FLUX

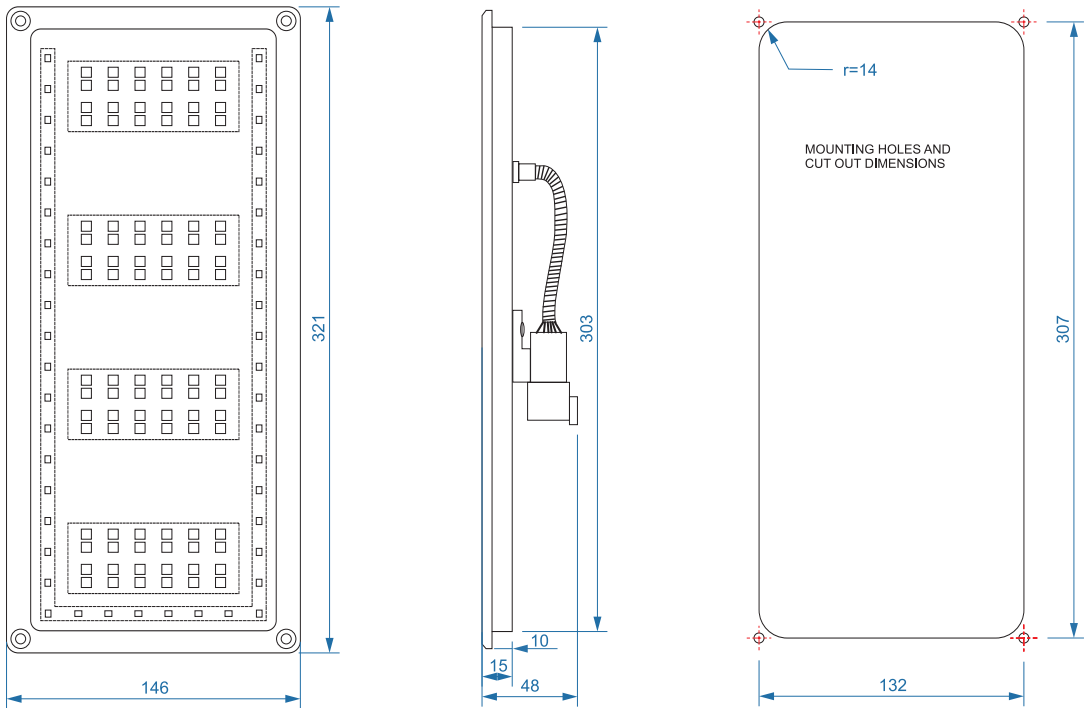
WIDE VIEWING ANGLE

TOUGH ALUMINIUM HOUSING

WITH TEMPERED GLASS

COLOUR-CODED LED FOR WATER AND FOAM

WATERPROOF



## MMX Large Tank Level Indicator

The large Tank Indicator is made to display water or foam level to be seen from a distance. The ultra-bright LEDs can be easy readable even in direct sunlight. For displaying water level the blue LEDs are used and for displaying foam level the yellow LEDs are employed. When the level is critical the both indicators signalise with red colour LEDs.