

MMX LCD7EN

SUNSHINE READABLE

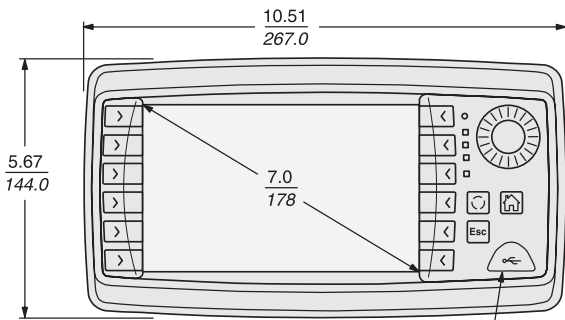
ANTI-REFLECTIVE GLASS

VIDEO INPUT

12 USER SOFT KEYS AND AN ENCODER

CABIN OR PANEL MOUNT

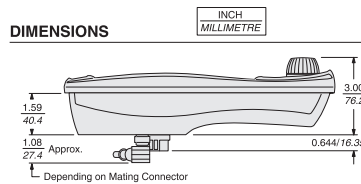
7.0" LCD Display



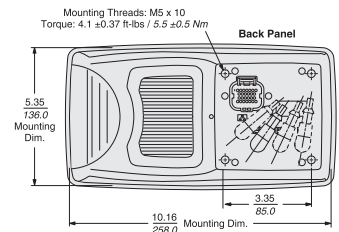
All Dimensions for Reference Only.

Front-Panel USB port
T (touch) model only

DIMENSIONS



Approx. Depending on Mating Connector



Description / Ratings

MMX LCD Display units are cost-efficient, rugged operator control panels for use on heavy-duty vehicles and work machines that must operate outdoor in harsh conditions. They are fully equipped with an encoder, three hard and twelve soft-function keys, integrated buzzer, RS232 and USB ports, CAN bus and video inputs.

Display 7”: Sunshine-readable, thin film transistor (TFT) color graphic LCD. 800 x 480 pixel resolution, viewing angle $\pm 50^\circ$ 7 inch (177 mm) diagonal screen. Light gray plastic housing with black rubber frame; glass front with anti-reflective glass. Optional touch screen.

Display 4.3”: Sunshine-readable, thin film transistor (TFT) color graphic LCD 480 x 272 pixel resolution, viewing angle $\pm 50^\circ$ 4.3 inch (16:9) diagonal screen. Light gray plastic housing with black rubber frame; glass front with anti-reflective glass. Optional touch screen.

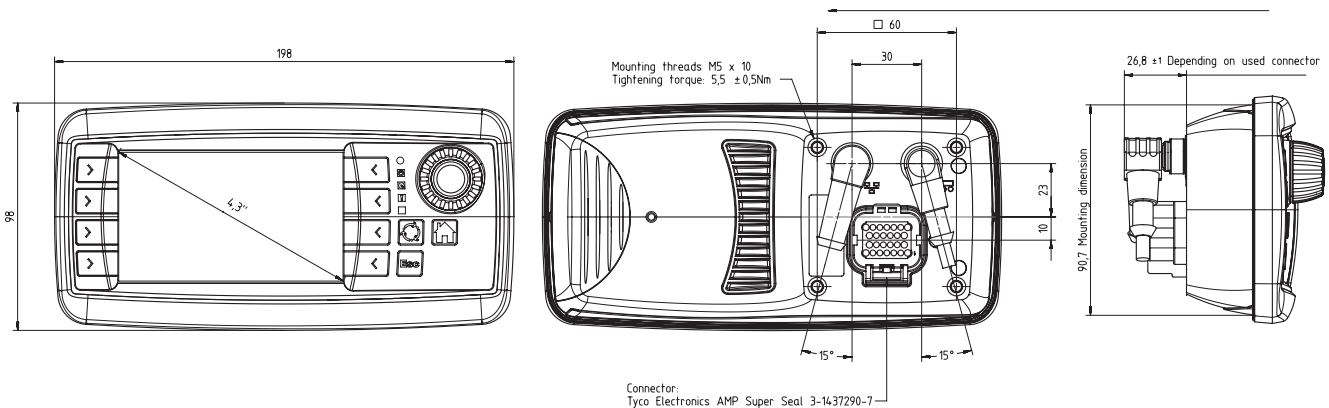
Keypads: Left keypad has six soft keys with white arrow symbols on a black base with blue backlighting. Right keypad has six soft keys plus three hard keys for “ESC”, “Home” and “Settings”; three status LEDs and one-multi-color LED. Light sensor embedded in keypad automatically adjusts backlighting to level of ambient light.

4.3"
LCD Display



MMX LCD4EN

- SUNSHINE READABLE
- ANTI-REFLECTIVE GLASS
- VIDEO INPUT
- 8 USER SOFT KEYS AND AN ENCODER
- CABIN OR PANEL MOUNT



Description / Ratings

Encoder: Electromechanical with mechanical detents and push mechanism rated for 1-million activations without electronic failure.

Interfaces: 2 CANbus ISO 11898, CAN specification 2.0 B active. 1 RS-232 (RxD, TxD, GND only), USB 2.0 full speed on main connector. Ethernet 10/100 Mbit (option)

Mounting: In-dash or out-dash.

Video: 1 composite CCITT video input, **optional:** 3 composite CCITT video input

Power Supply: Maximum tolerable 8 to 36 VDC.

Environmental: Operating Temperature: - 40 to 75°C (-40 to 167°F) Storage Temperature: - 40 to 85°C (-40 to 185°F) Protection: IP67 and IP65 (true outdoor). Vibration: 5g @ 57 to 2000 Hz, 150 h per axis. Shock: 30g, 11 ms, 10x per axis.

Certification: e1 and CE; ISO 15003; ISO 16740-4 Climatic Loads C

MMX LCD7

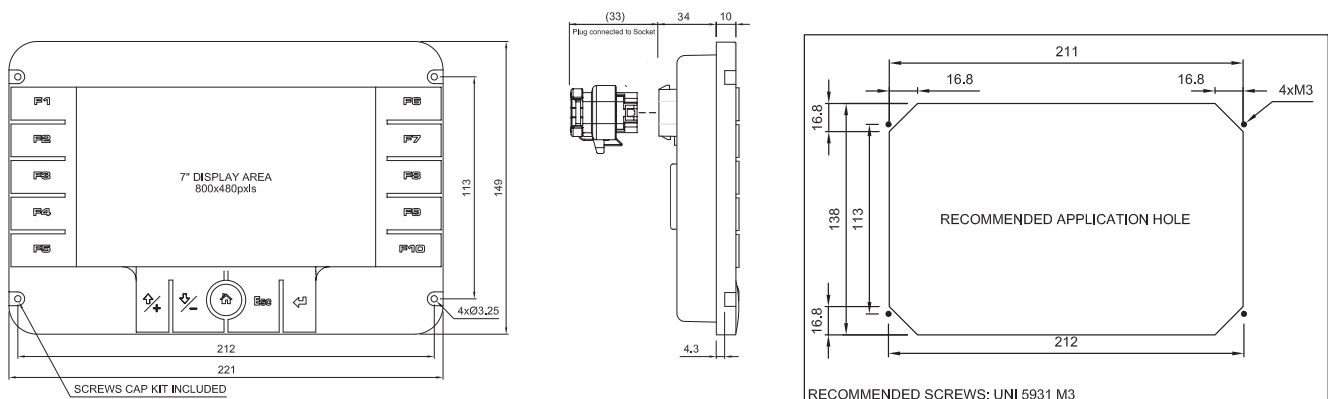
SUNSHINE READABLE

ANTI-REFLECTIVE GLASS

VIDEO INPUT

10 USER SOFT KEYS

CABIN OR PANEL MOUNT



Description / Ratings

MMX LCD Display unit are cost-efficient, rugged operator control panel for use on heavy-duty vehicles and work machines that must operate outdoor in harsh conditions. They are fully equipped with five hard and ten soft-function keys, integrated buzzer, RS232 and USB ports, CAN bus and video inputs.

Technical specifications:

Display type: Sunshine-readable, thin film transistor (TFT) color graphic 7 inch (177 mm), 16:9, LCD, anti-reflective glass, gray rubber housing,
 Resolution: 800 x 480 pixel,
 Viewing angle: $\pm 80^\circ$,
 Luminance: 600 cdm,
 Interfaces/Connectivity:
 - 2 CAN bus ISO 11898, CAN specification 2.0 B active,
 - RS-232 (full UART),

Mounting: Can be installed both in-dash or out-dash with its specific articulated support

Keypads: Left keypad has five soft keys with white "F" symbols on a grey base with white backlighting. Right keypad has five soft keys. Bottom keypad has five hard keys for "Inc", "Dec", "Home", "Esc" and "Enter".

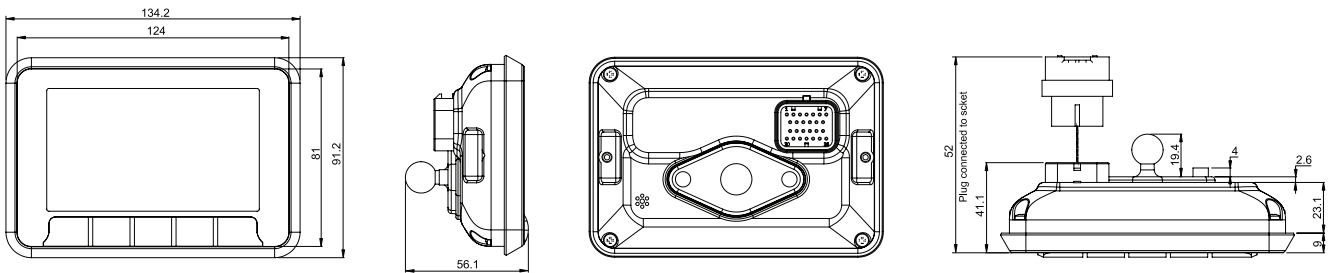
- USB 2.0 (Tx, Rx),
 - Ethernet 10/100 Mbit
 - Optional touch screen
 - Video input PAL/NTSC, composite CCITT video input
 - Optional: 2 composite CCITT video input
- Power Supply: Maximum tolerable 8 to 32 VDC.
 Operating Temperature: - 40 to 70°C (-40 to 158°F)
 Storage Temperature: - 40 to 85°C (-40 to 185°F)
 Protection: IP65.

4.3"
LCD Display



MMX LCD4

- SUNSHINE READABLE
- ANTI-REFLECTIVE GLASS
- 5 USER SOFT KEYS OR TOUCH
- VIDEO INPUT
- CABIN OR PANEL MOUNT



MMX LCD4 Display

MMX LCD Display unit are cost-efficient, rugged operator control panel for use on heavy-duty vehicles and work machines that must operate outdoor in harsh conditions. They are fully equipped with five soft-function keys, integrated buzzer, RS232 and USB ports, CAN bus and video inputs.

Mounting: Can be installed both in-dash or outdash with its specific articulated support

Technical specifications:

Display type: Sunshine-readable, thin film transistor (TFT), color graphic 4.3 inch, 16:9, LCD, anti-reflective glass, black rubber housing,
 Resolution: 480 x 272 pixel,
 Viewing angle: ±80°,
 Luminance: 700 cdm,
 Interfaces/Connectivity:
 - 2 CAN bus ISO 11898, CAN specification 2.0 B active,

- RS-232 (Tx and Rx),
- USB Host
- Optional resistive touch screen (combination without 5 keys)
- Video input PAL/NTSC, composite CCITT video input
- Power Supply: Maximum tolerable 8 to 32 VDC.
- Operating Temperature: - 30 to 75°C (-40 to 158°F)
- Storage Temperature: - 40 to 75°C (-40 to 185°F)
- Protection: IP65.