

MMX KYB2

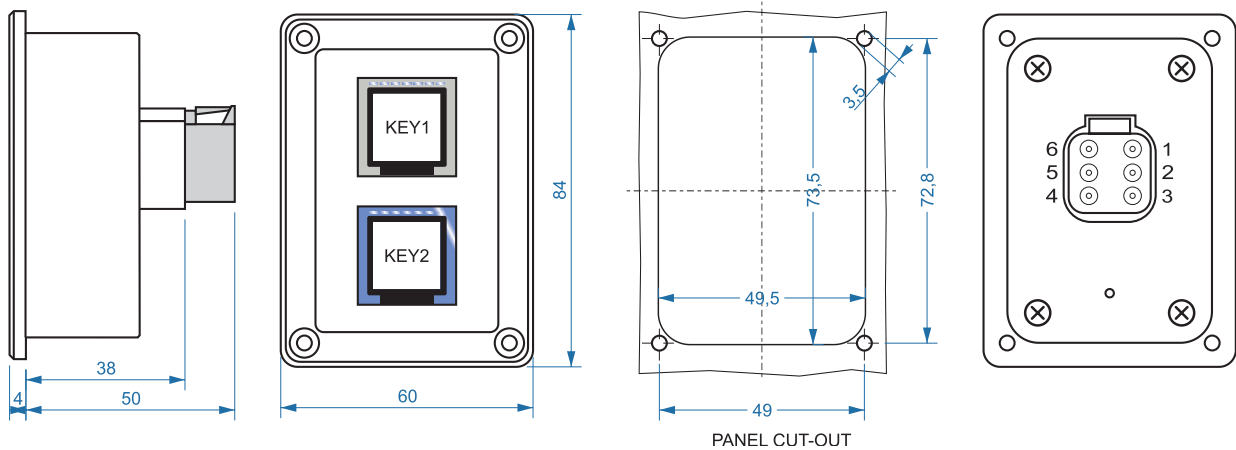
2 USER PROGRAMMABLE KEYS

WITH OPTIONAL 2 OUTPUTS
LOW SIDE MAX. 2 A AND
2 POSITIVE/NEGATIVE INPUTS

COLOUR CODED LABELS WITH
PICTOGRAMS

180 DEGREE VIEWING ANGLE

DOUBLE ILLUMINATED KEY,
DIRECT SUNLIGHT READABLE



MMX Keyboard

The MMX KYB2 keyboard is user programmable. Each key can be configured to operate as a switch, push button or both as a special feature. Corresponding key LED indicators are fully configurable when they are turned on continuously or when they flash in one or the other mode. Typical usage of slow flashing mode is to indicate output function activity of button switched. A quick flashing LED signalizes failure or unavailability of the function due to unmet conditions. Key label graphics are customizable and coloured according to function groups for easy recognition. Unused keys can be screened off with dark label. In addition, switching one key on/off can make other keys to switch on/off even on different keyboards connected in the system.

Labels are inserted at the inner side of the front panel of a keyboard. Several MMX keyboards located on different places can be connected over Emitter CAN to collaborate. The MMX KYB2 can be use also as stand-alone unit without IO node controller because it has its own programmable input and output connectors